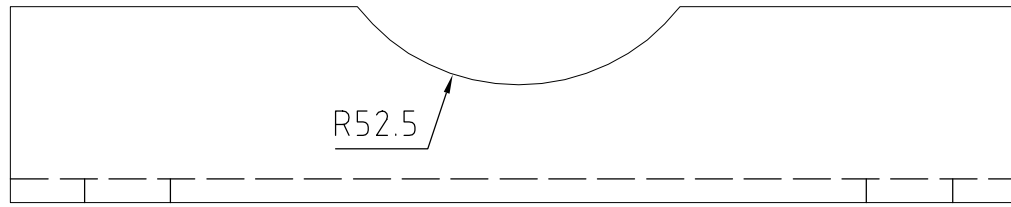
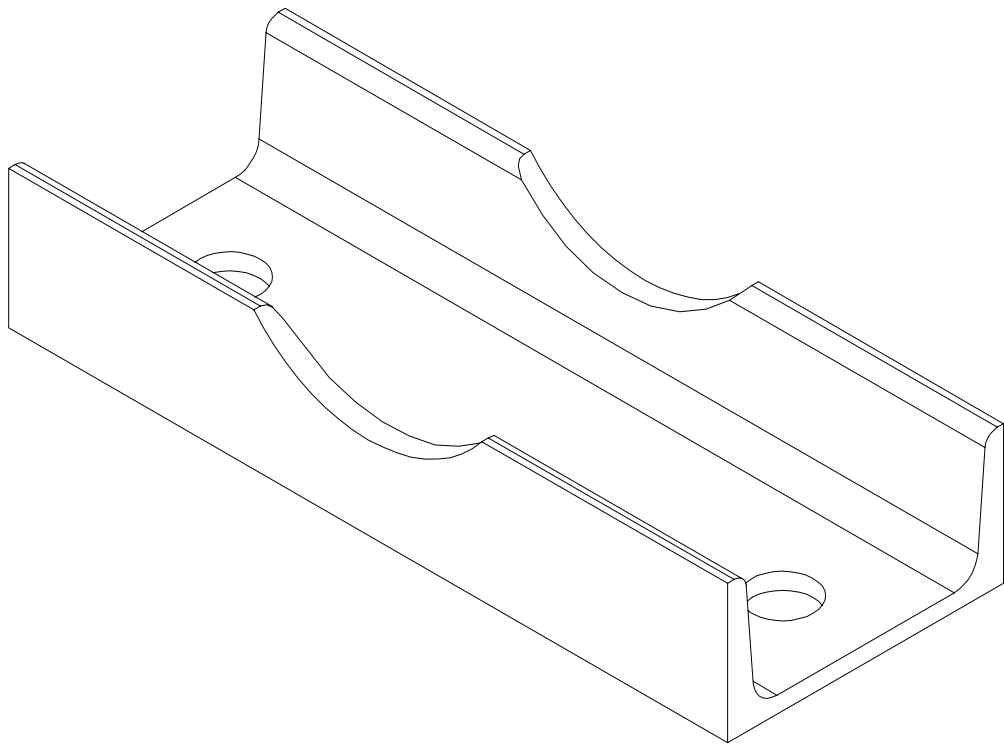
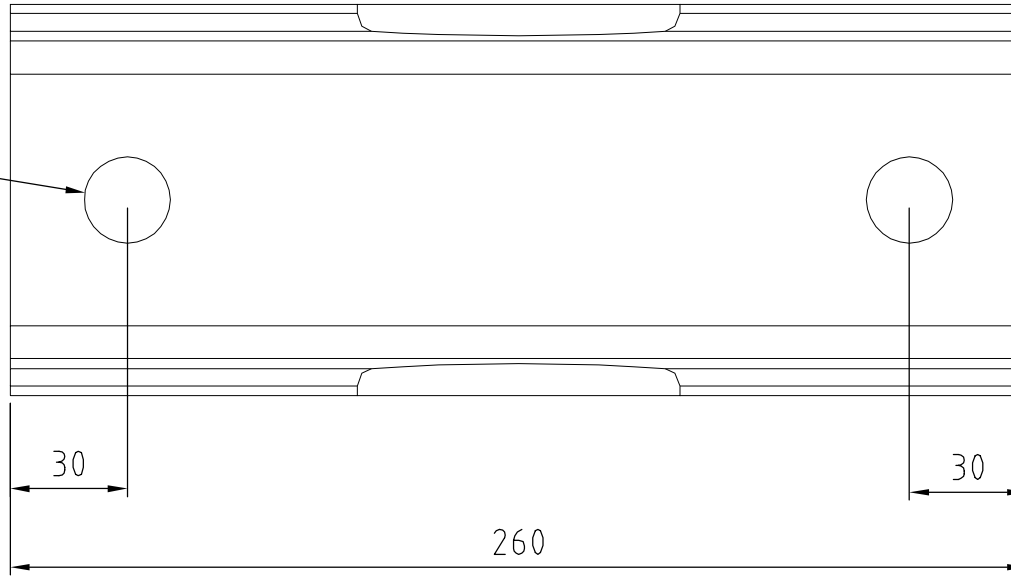



11912



$\phi 22$



Design		at	Scale 1:2	Associated with AE260-1 Tolerance class middle	Description 1 Kiinnityspala
Drawn		at			Description 2 U100-260
Check					Description 3 100mm putkelle
Approv.					Material 1 Fe37 Hzn
Plot Date			 Aerial Oy Tel. +358-9-2790 120 Fax. +358-9-2910 210 Box 22 04401 Järvenpää Finland http://www.aerial.fi aerial@aerial.fi	Outline size	
Mass					
DWG					